

INSTALLATION MANUAL INDOOR SURFACE MOUNTED

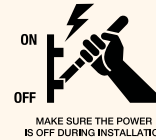
INDEX

- A:** SINGLE UNIT INSTALLATION
- B:** CONTINUOUS INSTALLATION
- C:** WIRING DETAILS

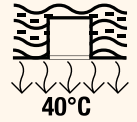


WARNING:

The safety and warranty of this fixture is guaranteed only if installed in compliance with below instruction manual.



IP20

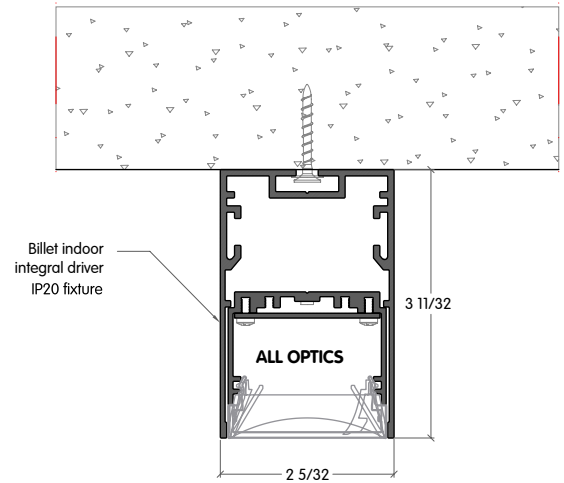
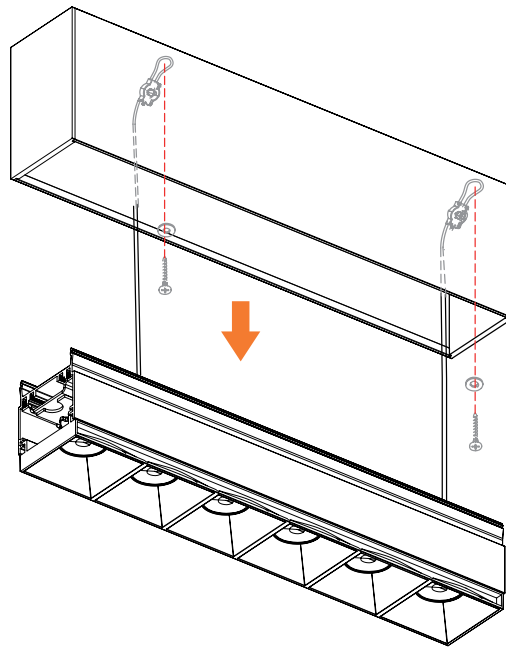


THE LOW SURFACE TEMPERATURE (40°C) IMPOSE NO LIMITS ON INSTALLATION

A. SINGLE UNIT INSTALLATION

1.

- ▶ Unclip reflector assembly from main profile.
- ▶ Remove safety cables.



Prepare the ceiling conditions according to the factory shop drawings.

		12"		24"		36"		48"		60"					
		Height		Width		Actual Length		Actual Length		Actual Length		Actual Length			
		mm	inch	mm	inch	mm	inch	mm	inch	mm	inch	mm	inch		
Wallgrazer	Surface Mounted	85	3 11/32	55	2 5/32	308.00	12 1/8	608.10	23 15/16	908.20	35 3/4	1208.30	47 9/16	1508.40	59 3/8
	S.M. Remote	66.5	2 5/8	55	2 5/32	308.00	12 1/8	608.10	23 15/16	908.20	35 3/4	1208.30	47 9/16	1508.40	59 3/8
Symmetrical Baffles	Surface Mounted	85	3 11/32	55	2 5/32	308.00	12 1/8	608.10	23 15/16	908.20	35 3/4	1208.30	47 9/16	1508.40	59 3/8
	S.M. Remote	66.5	2 5/8	55	2 5/32	308.00	12 1/8	608.10	23 15/16	908.20	35 3/4	1208.30	47 9/16	1508.40	59 3/8
Honeycomb	Surface Mounted	85	3 11/32	55	2 5/32	299.05	11 25/32	585.53	23 1/16	872.09	34 11/32	1158.49	45 5/8	1444.97	56 7/8
	S.M. Remote	66.5	2 5/8	55	2 5/32	299.05	11 25/32	585.53	23 1/16	872.09	34 11/32	1158.49	45 5/8	1444.97	56 7/8
Opal	Surface Mounted	85	3 11/32	55	2 5/32	308.00	12 1/8	602.00	23 11/16	896.10	35 9/32	1190.10	46 27/32	1484.20	58 7/16
	S.M. Remote	66.5	2 5/8	55	2 5/32	308.00	12 1/8	602.00	23 11/16	896.10	35 9/32	1190.10	46 27/32	1484.20	58 7/16

BILLET

INDOOR SURFACE MOUNTED

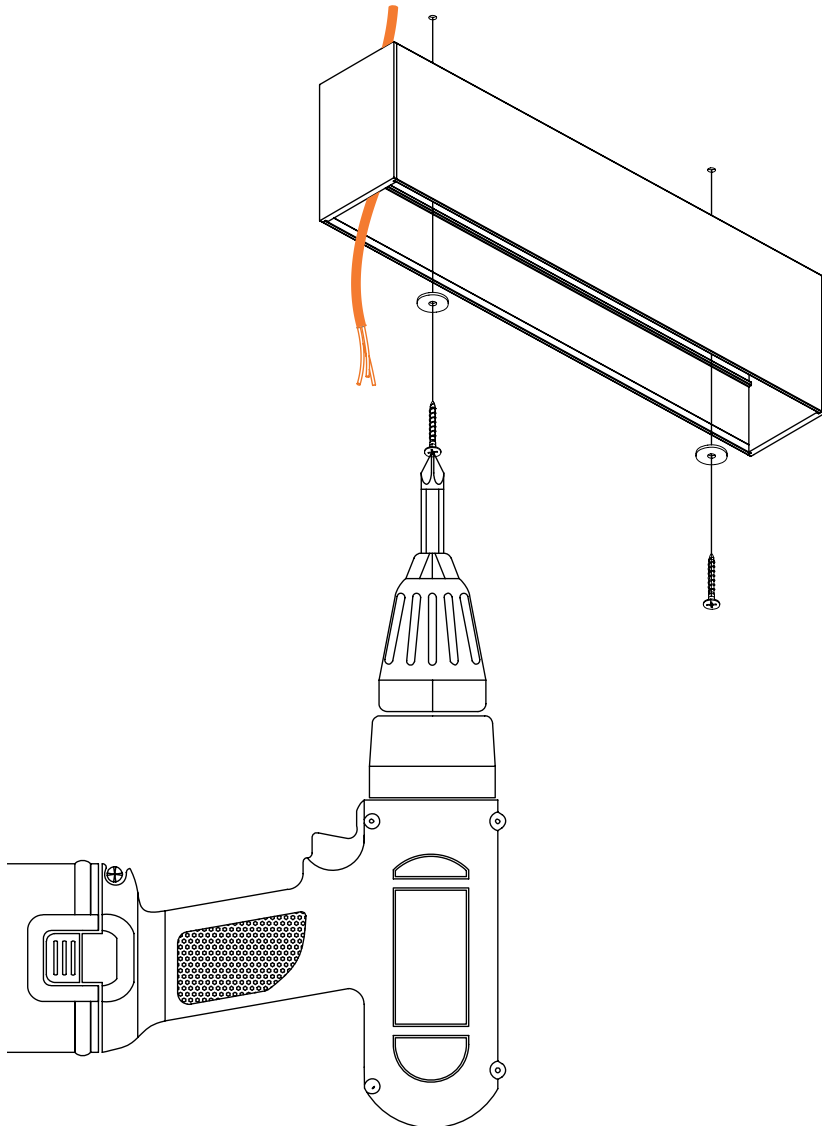
bold
lighting

2.

- ▶ Insert the main electrical cable into the profile.
- ▶ Screw the profile into place using the washer and screws compatible with mounting surface.

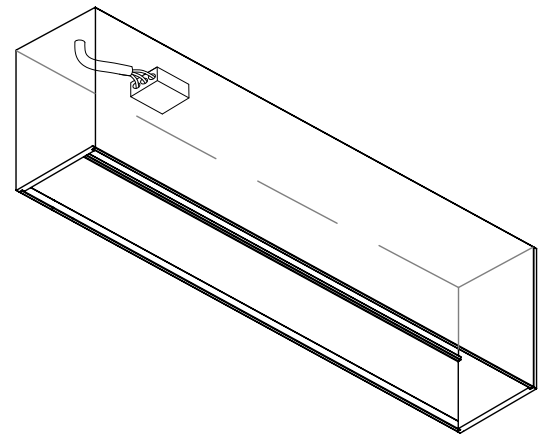


WARNING: Shock hazard. Serious injury or death may occur. Turn Off power before servicing or installing. Wire according to local and national codes. This product shall be installed by a qualified electrician.



3.

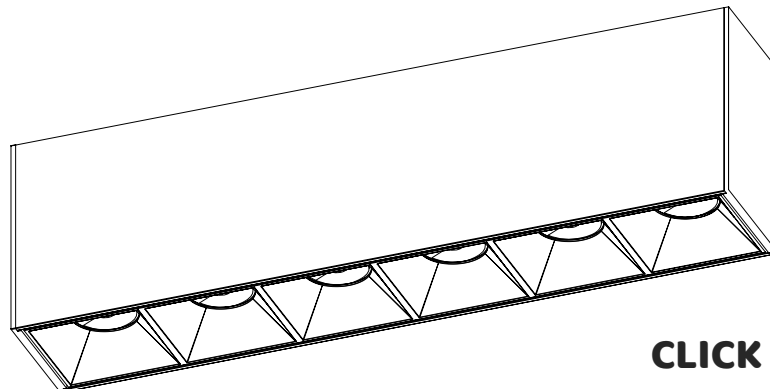
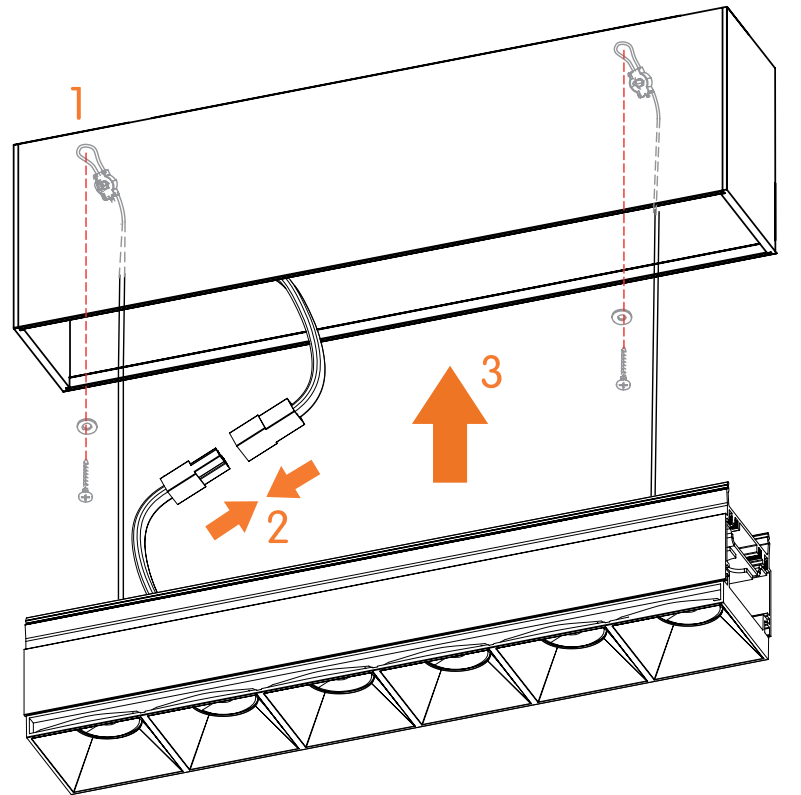
- ▶ Connect the main electric feed to the pushwire terminal.



WARNING: Failure to secure safety cables can lead to injury or death!

4.

- ▶ 1- Re-attach safety cables.
- ▶ 2- Connect the low voltage quick connects from the driver.
- ▶ 3- Insert the reflector assembly into the main profile until it clicks.

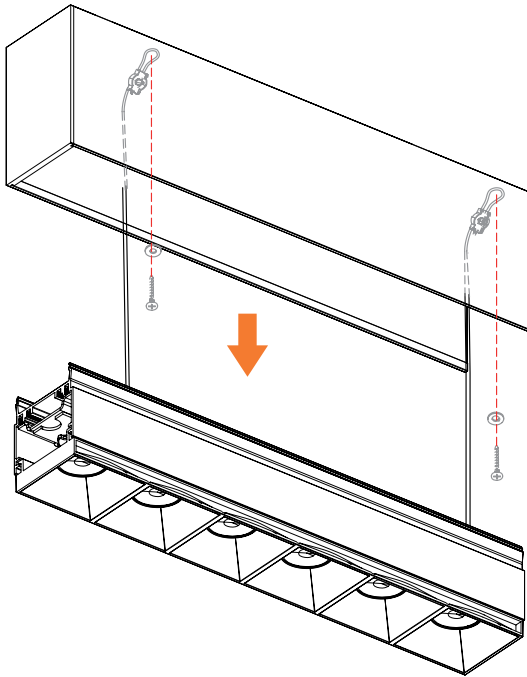


CLICK 

B. CONTINUOUS RUN INSTALLATION

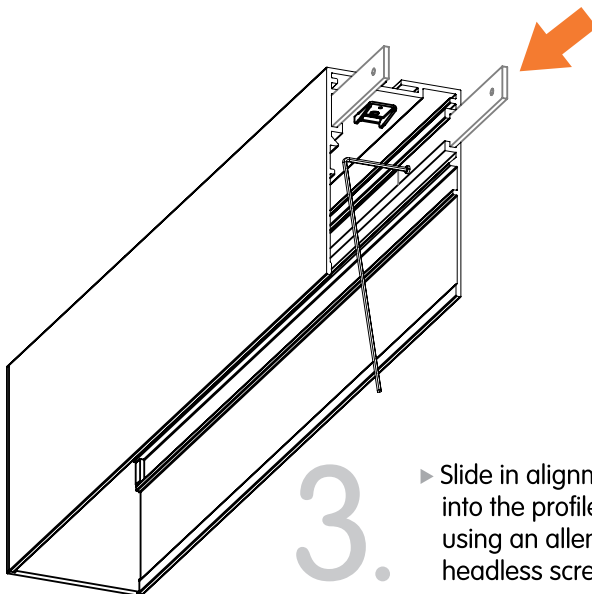
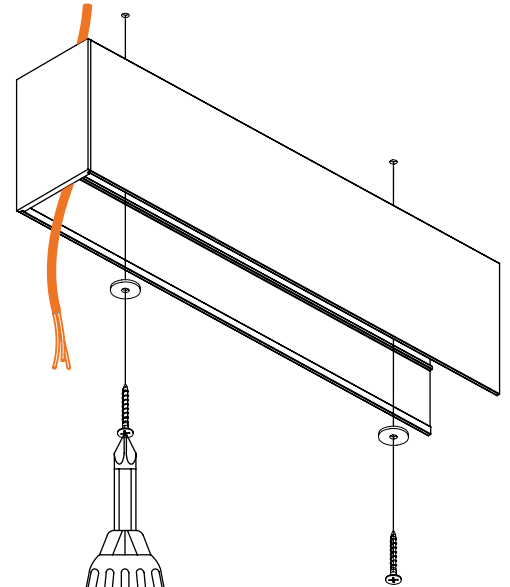
1.

- ▶ Unclip all reflector assemblies from main profiles.
- ▶ Remove safety cables.



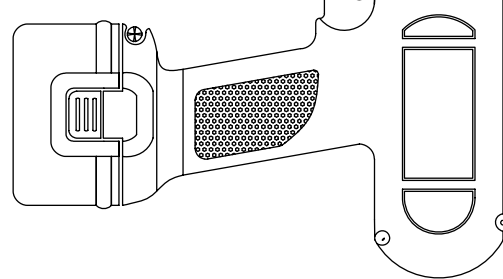
2.

- ▶ Insert the main electrical cable into the profile.
- ▶ Screw the profile into place using the washer and screws compatible with mounting surface.

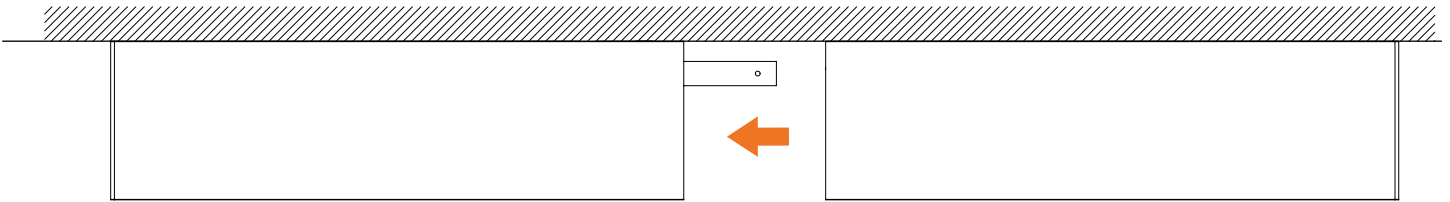


3.

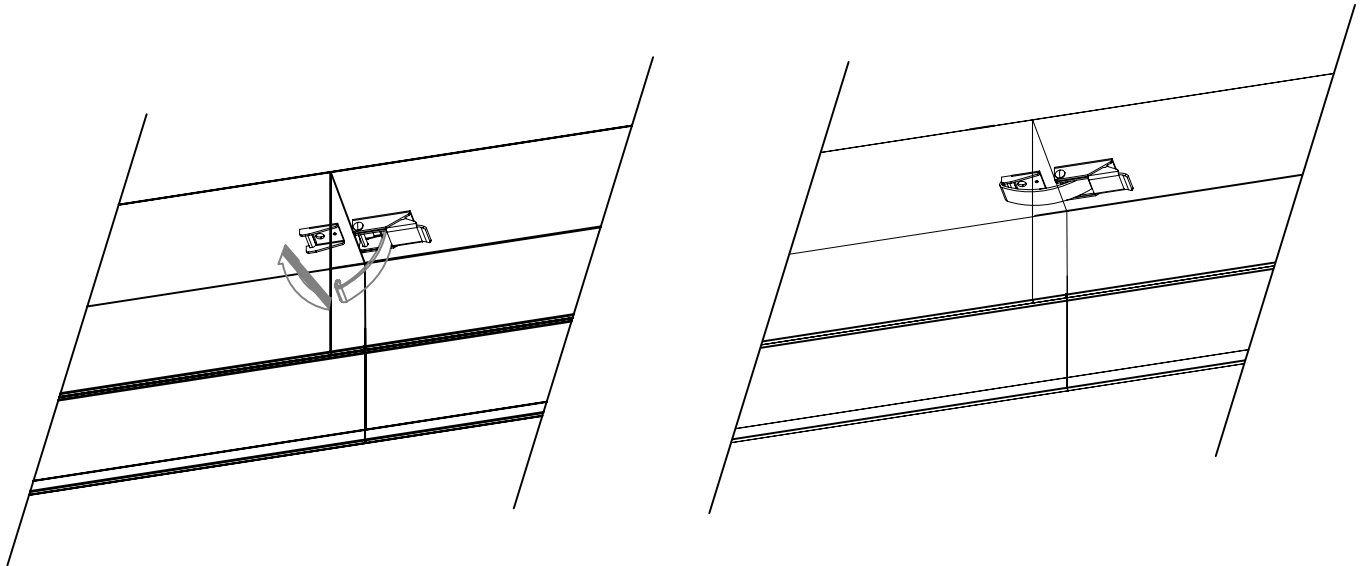
- ▶ Slide in alignment brackets halfway into the profile and tighten them using an allen key and provided headless screws.



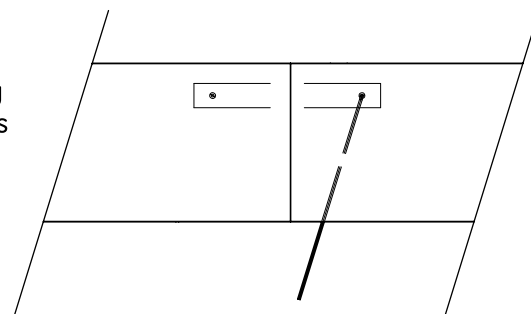
4. ▶ Insert the next fixture into the alignment brackets.



5. ▶ Hook the latch onto the bracket in the neighboring profile to further tighten the connection.



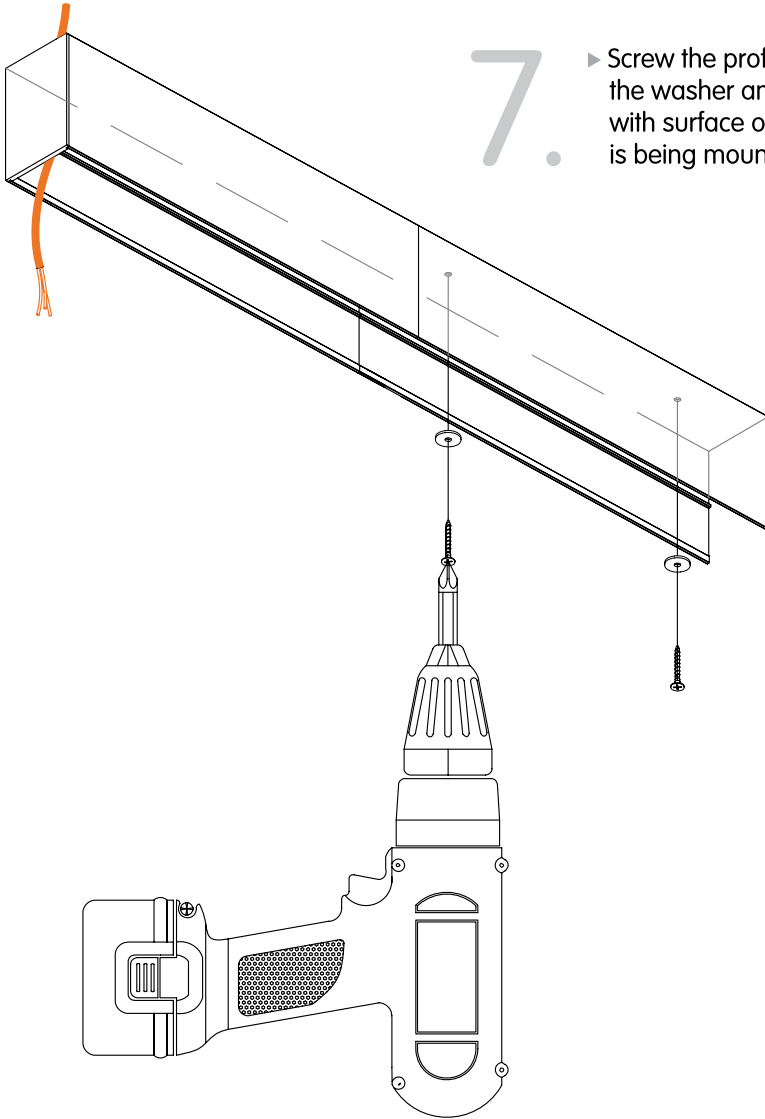
6. ▶ Tighten the alignment bracket using the allen key and provided headless screws on inserted profile.



BILLET

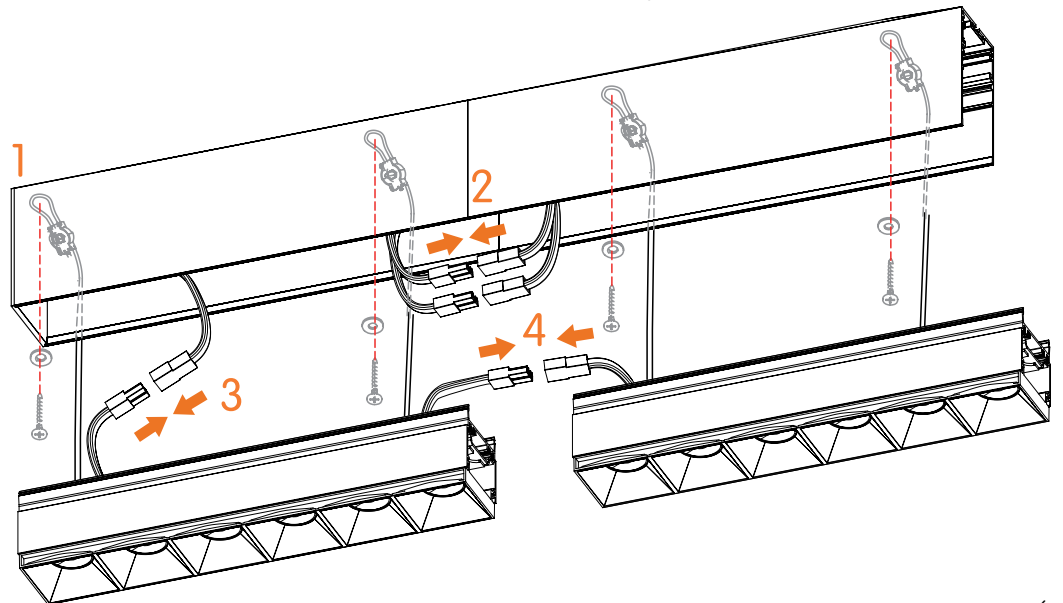
INDOOR SURFACE MOUNTED

bold
lighting

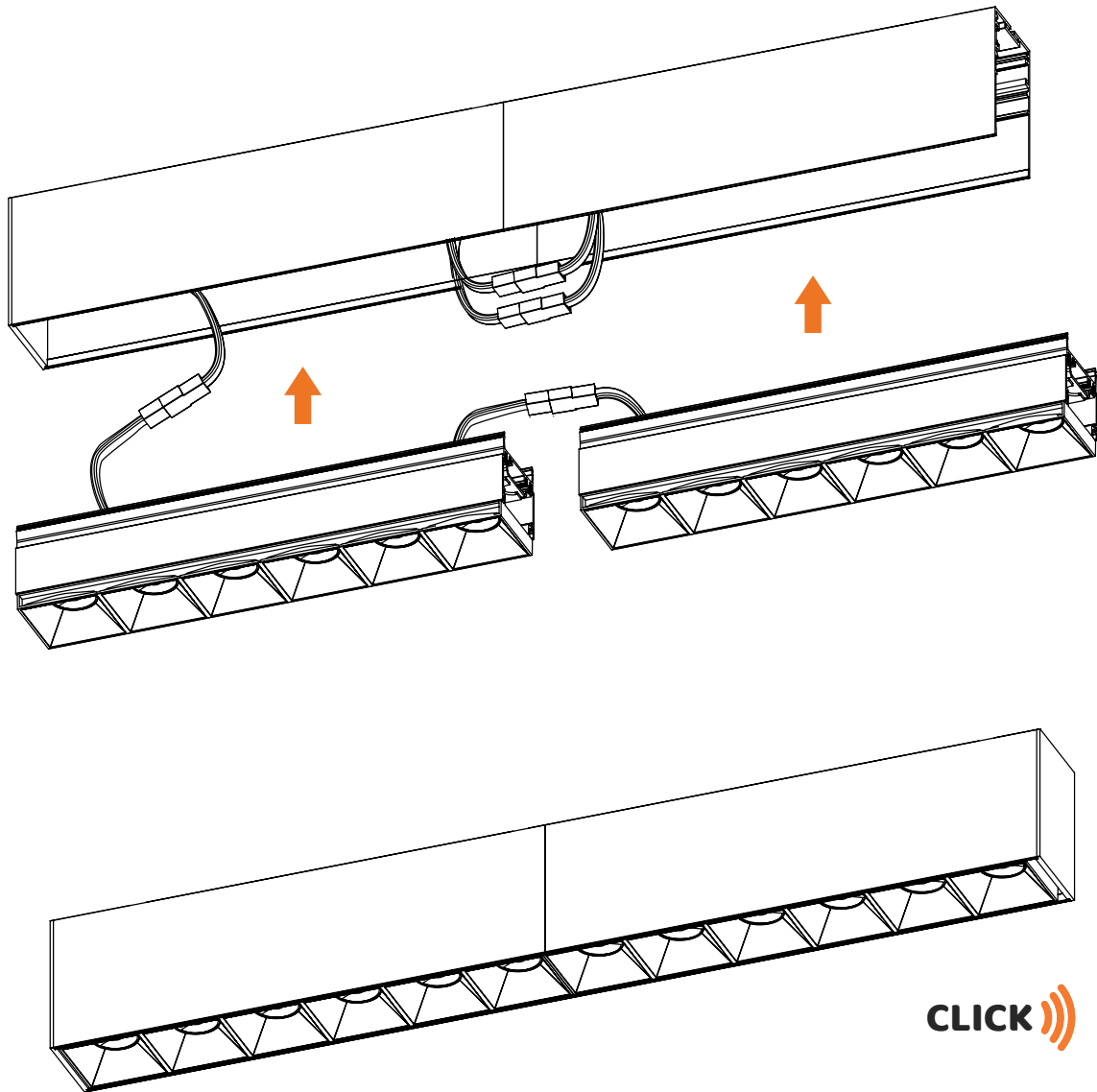


7. ▶ Screw the profile into place using the washer and screws compatible with surface on which fixture is being mounted.

8. ▶ 1- Re-attach safety cables.
▶ 2- Connect the mains voltage through wiring cables as shown on pages 8-10.
▶ 3- Connect the low voltage quick connects from the driver.
▶ 4- Interconnect led modules together using the low voltage quick-connects.
▶ Refer to the factory shop drawings for final run lengths.



9. ▶ Insert reflector assembly into main profile until it clicks.

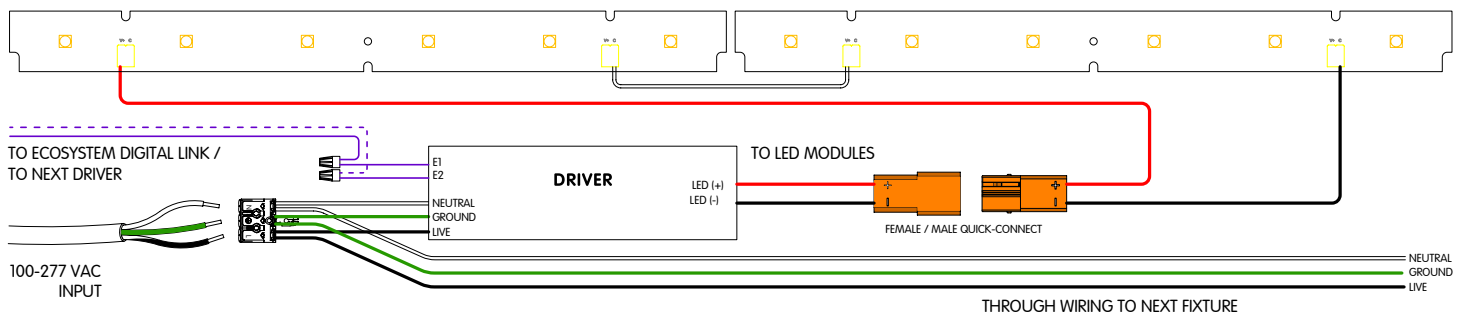


WARNING: Do not exceed the rated wattage of the through wiring cables or the connectors.
For all continuous runs, refer to factory shop drawing indicating exact dimensions and feed locations.

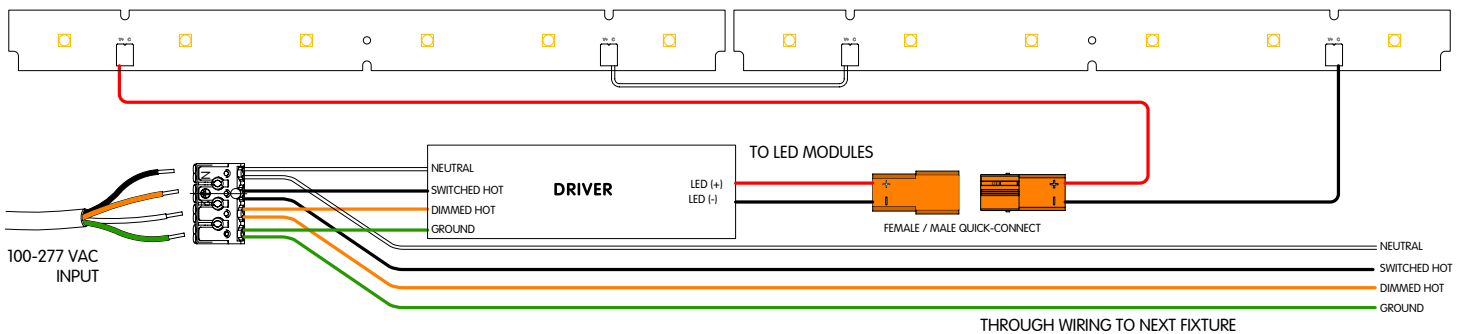
C. WIRING DETAILS

► Monochromatic White

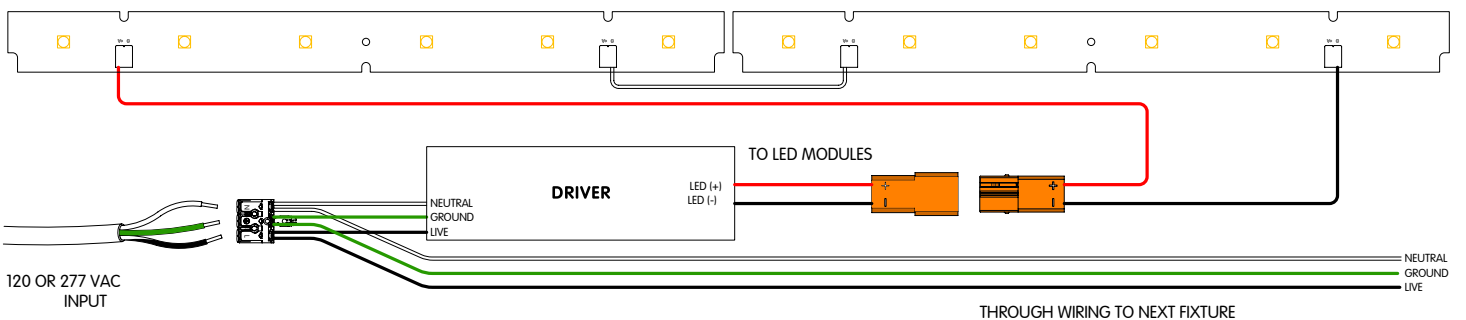
LUTRON ECOSYSTEM WIRING DIAGRAM



LUTRON 3 WIRE WIRING DIAGRAM

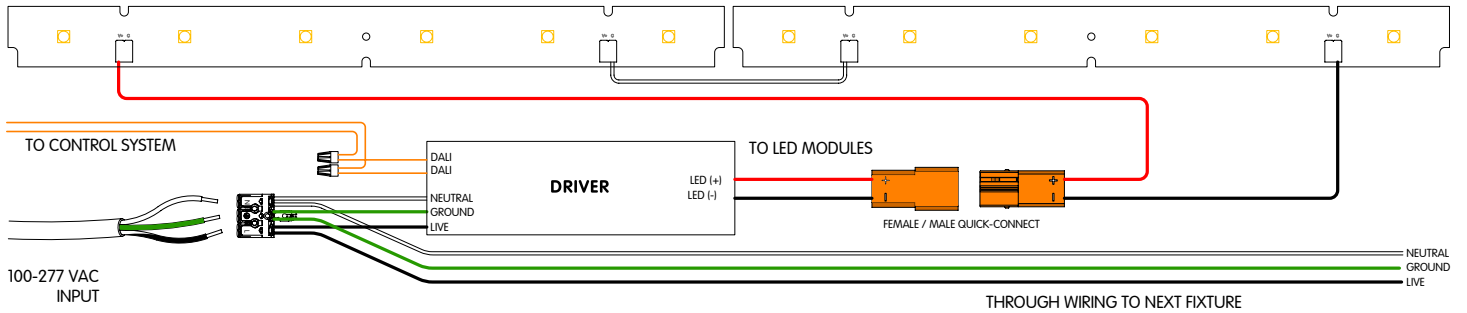


ELV / LUTRON 2 WIRE DIM / NON DIM WIRING DIAGRAM

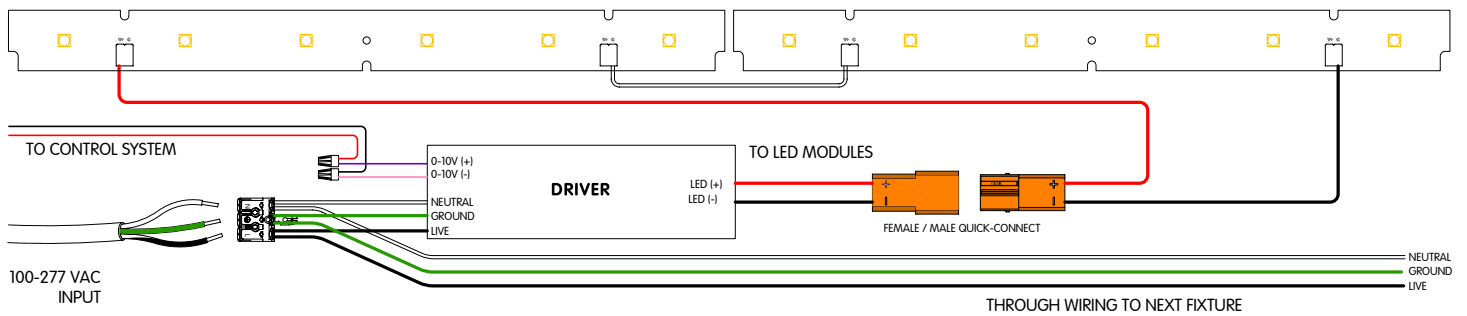


► Monochromatic white

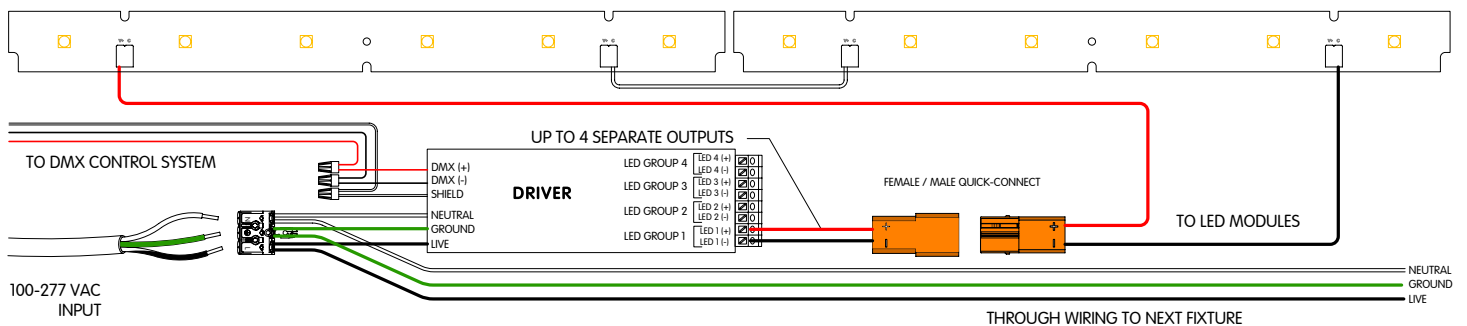
DALI WIRING DIAGRAM



0-10V WIRING DIAGRAM

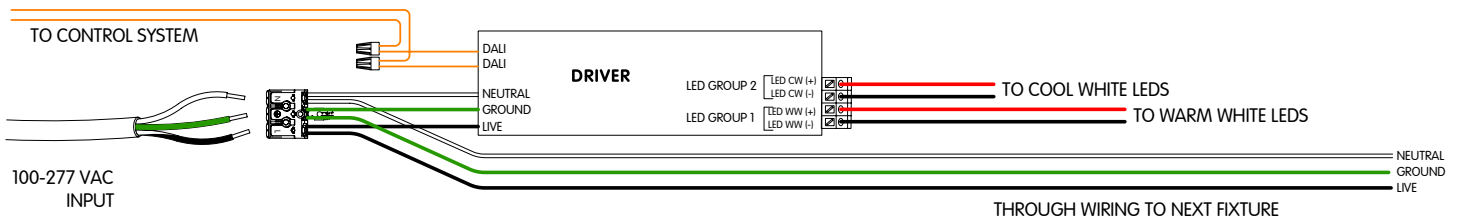


DMX WIRING DIAGRAM

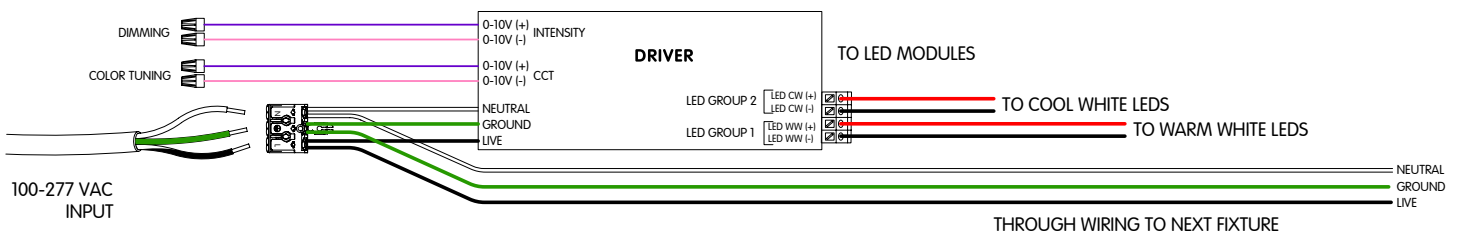


► Tunable White

2 CHANNELS DALI WIRING DIAGRAM



2 CHANNELS 0-10V WIRING DIAGRAM



Failure to follow the wiring color coding and connectors pin labeling will void the fixtures warranty.